

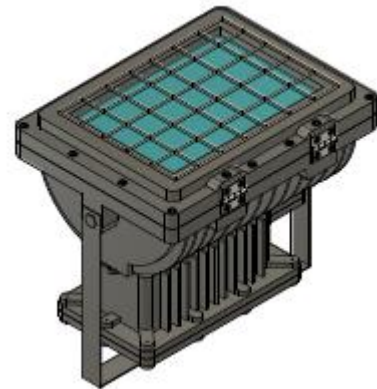
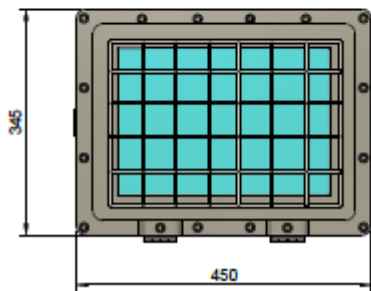
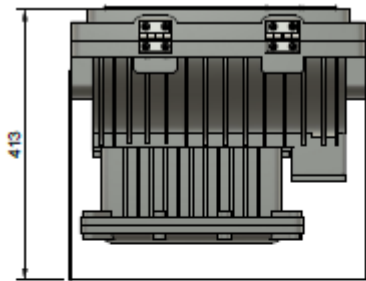


## FL SERIES EX-PROOF PROJECTOR

ATEX CERTIFICATE: INSEMEX-OEC.ATEX.17.0308X

CE  II 2 G Ex d e II B T3 Gb

CE  II 2 D Ex tb III C T200°C Db



Catalog No.	Power (Watt)	Light Intensity (lumen)
<b>EVL-100</b>	<b>99</b>	<b>10100</b>
<b>EVL-150</b>	<b>131</b>	<b>13800</b>
<b>EVL-200</b>	<b>162</b>	<b>17300</b>

### APPLICATIONS

FL SERIES ex-proof projector, Zone-1, Zone-21, Zone-2 and Zone-22 suitable for use in ex-proof environments.

### MATERIAL

Body; aluminum casting (ETIAL 171)  
Glass; Heat treated borosilicate glass  
Colour: RAL 7040(grey)

### TECHNICAL SPECIFICATIONS

With energy input : 220 V AC  
2x3/4" with hole  
E40 bulb holder  
With ballast (In metal form or sodium)  
Used with gas discharge bulb.

### MECHANICAL PROTECTION TYPE

IP 66